

# DRAFTING TABLE

[HTTPS://DRAFTINGHOWTO.COM/](https://draftinghowto.com/)

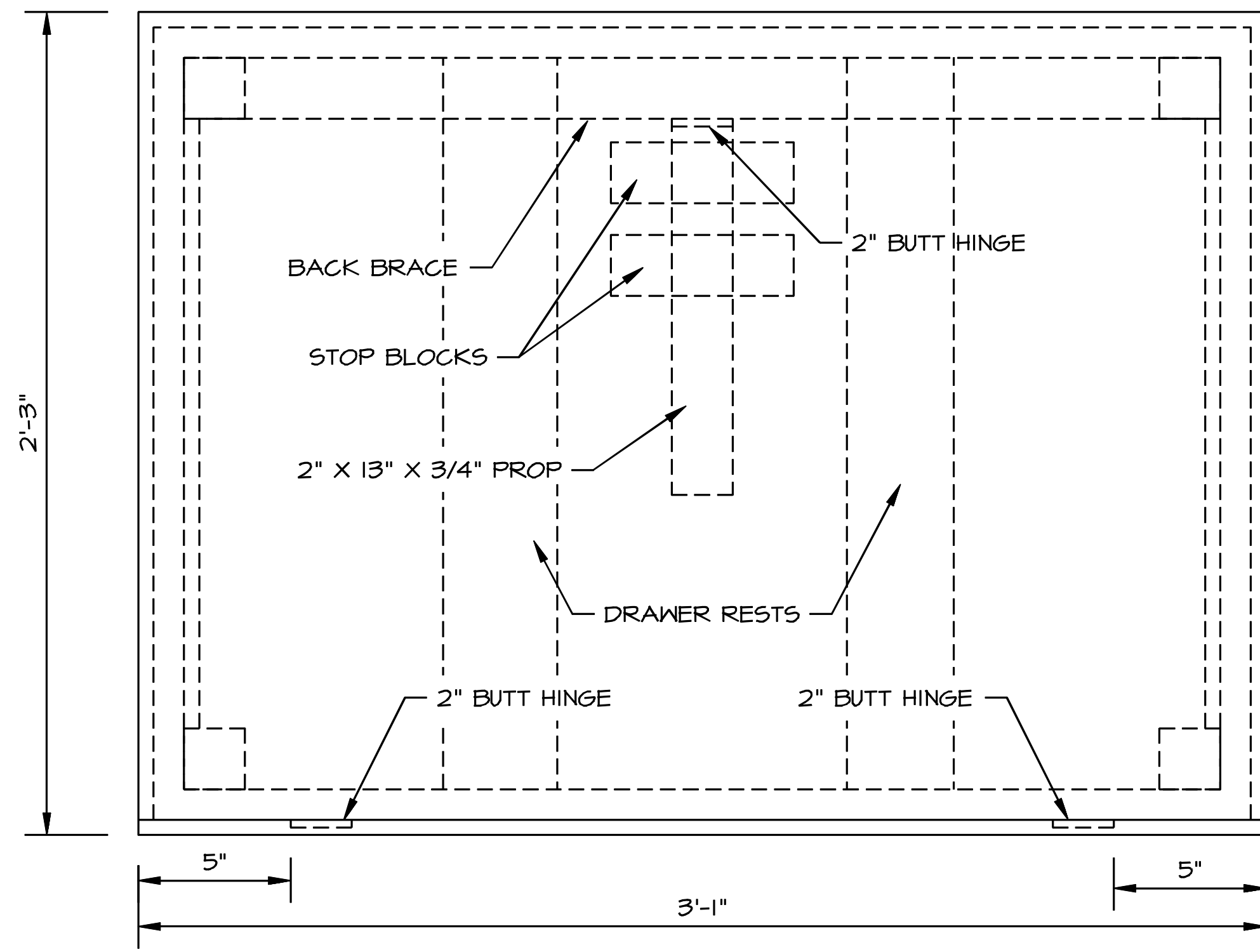


TABLE TOP VIEW

FASTENER INSTRUCTION LIST FOR WOODEN DRAFTING BOARD

1. MAIN BOARD TO FRAMEWORK (HINGED CONNECTION)

FASTENERS: 2-4 BRASS OR STEEL BUTT HINGES (2"-3" WIDE)  
SCREWS: #8 X 7" WOOD SCREWS (FOR HINGES)

INSTALLATION: SECURE HINGES EVENLY ALONG THE BACK EDGE OF THE BOARD AND ATTACH TO THE FRAMEWORK FOR SMOOTH TILTING.

2. FRAMEWORK ASSEMBLY (LEGS AND SUPPORT STRUCTURE)

FASTENERS: 2" WOOD SCREWS OR 2" X 2" CARRIAGE BOLTS WITH WASHERS AND NUTS  
REINFORCEMENT: WOOD GLUE AT JOINTS FOR EXTRA STABILITY

INSTALLATION: ATTACH THE LEGS SECURELY TO THE FRAMEWORK, ENSURING THEY ARE SQUARE FOR STABILITY.

3. ADJUSTABLE TILTING MECHANISM

FASTENERS: 2" DIAMETER WING BOLTS (THUMB SCREWS) WITH MATCHING WASHERS AND LOCKNUTS  
BRACKET SUPPORT: METAL ANGLE BRACKETS (IF EXTRA REINFORCEMENT IS NEEDED)

INSTALLATION: SECURE THE TILTING ARMS WITH WING BOLTS AT MULTIPLE PRESET HOLES IN THE FRAMEWORK TO ALLOW FOR ANGLE ADJUSTMENTS.

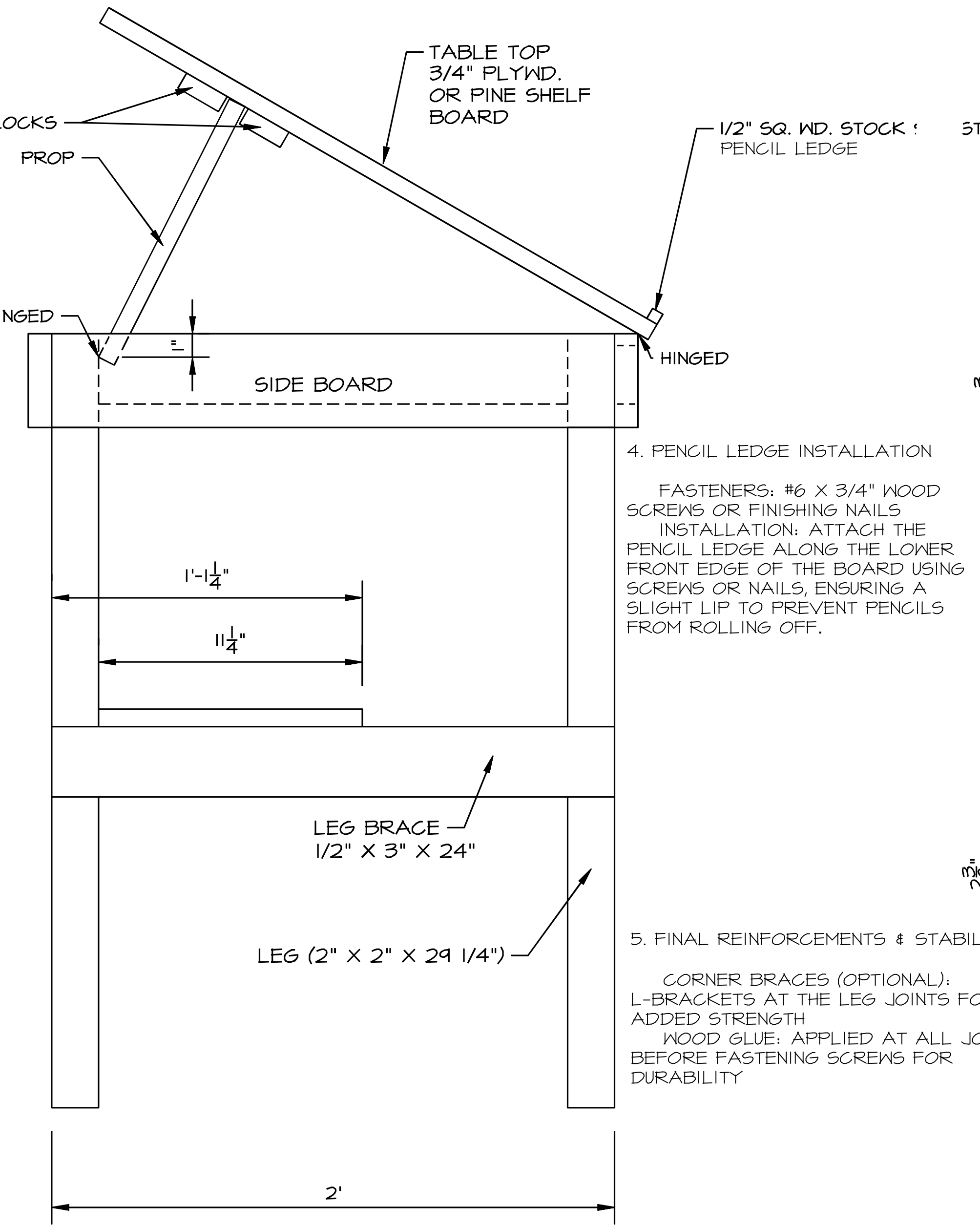
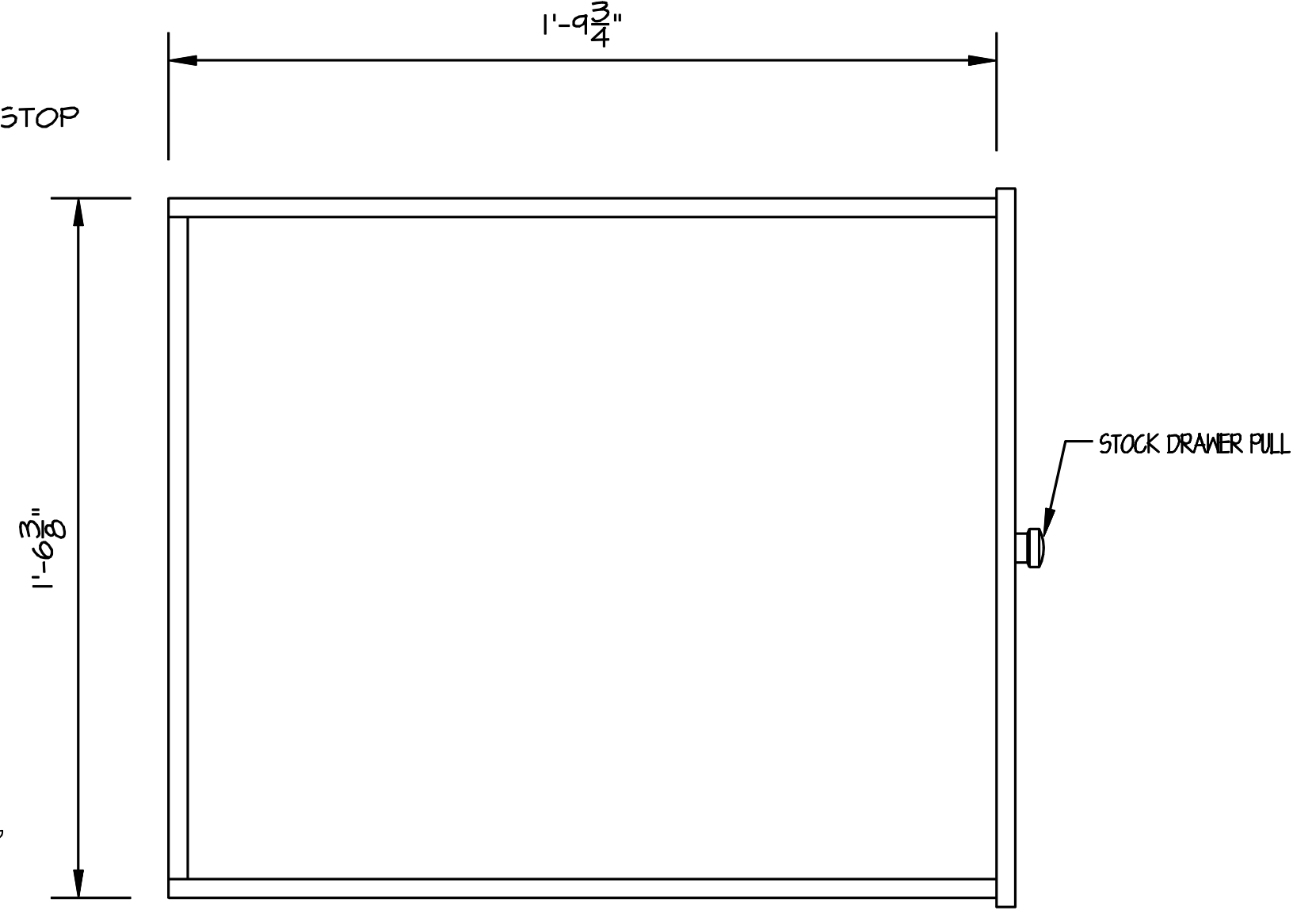
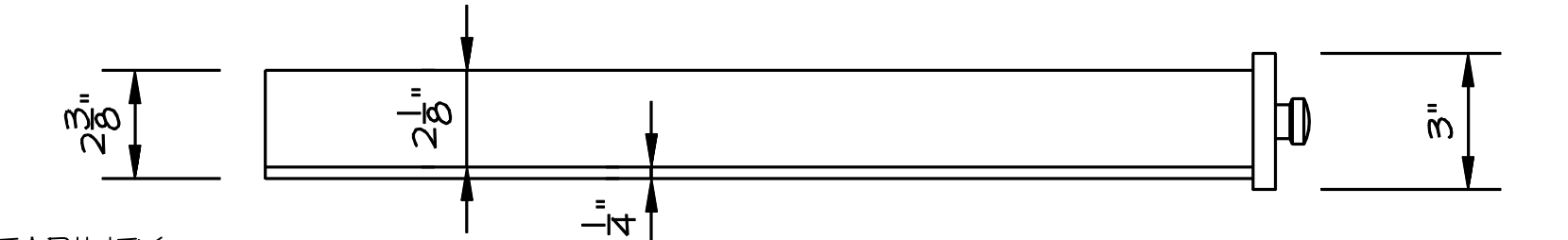


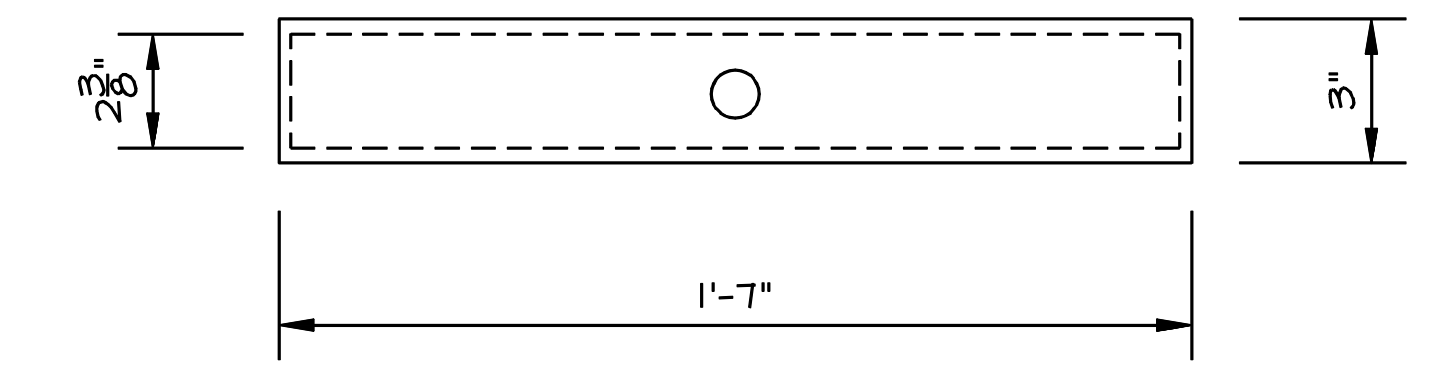
TABLE LEFT VIEW



DRAWER TOP VIEW



DRAWER LEFT VIEW



DRAWER FRONT VIEW

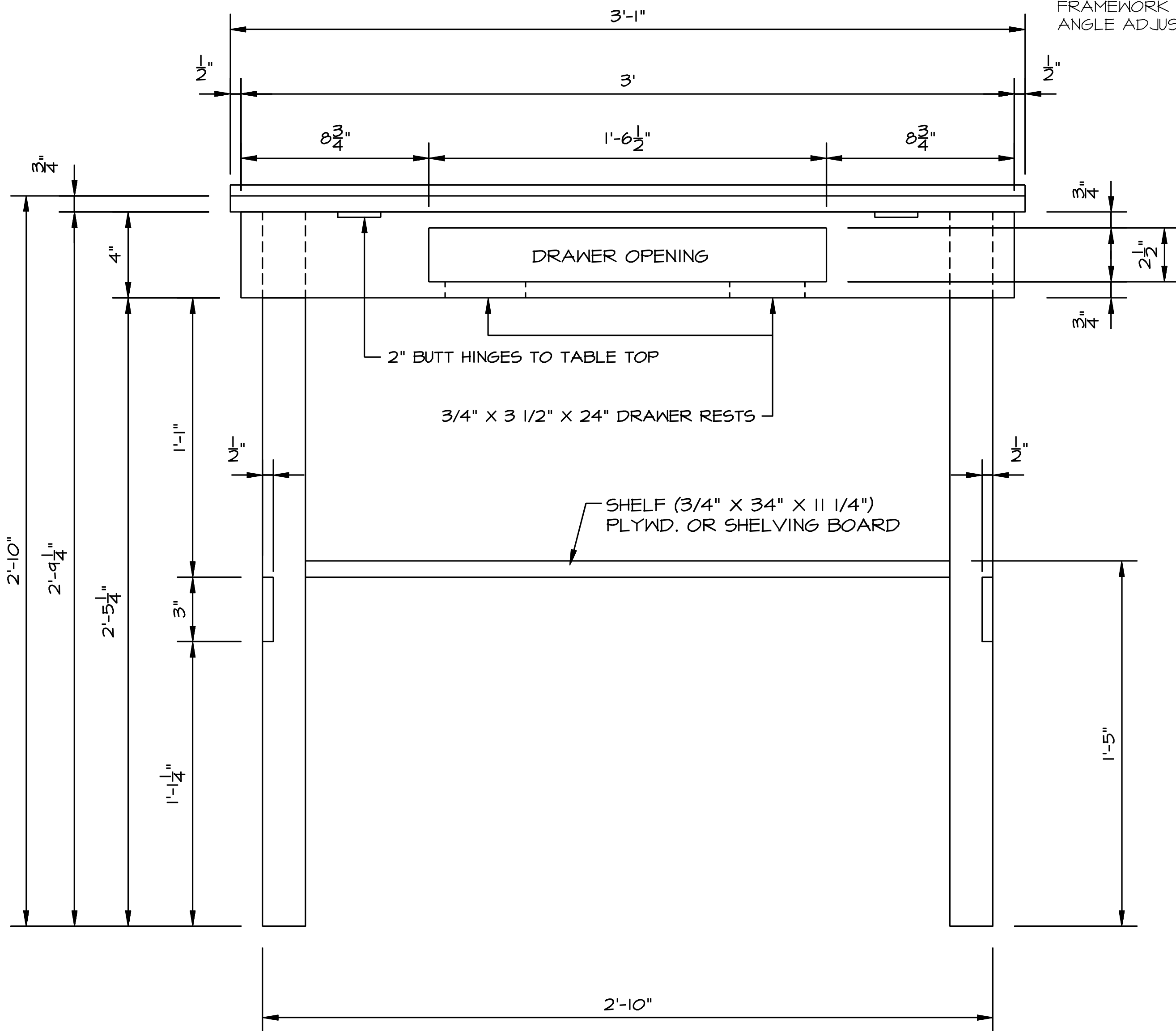
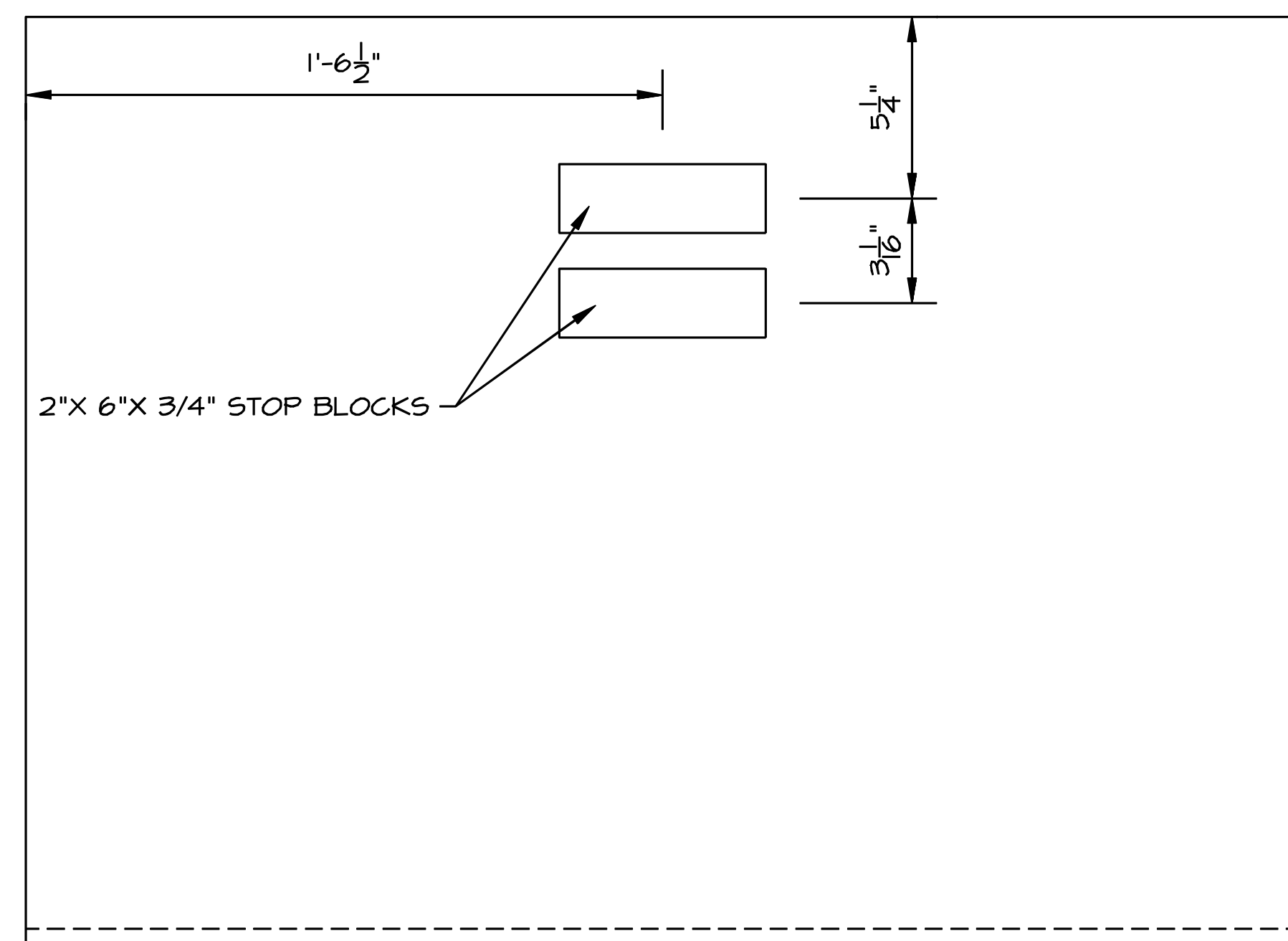
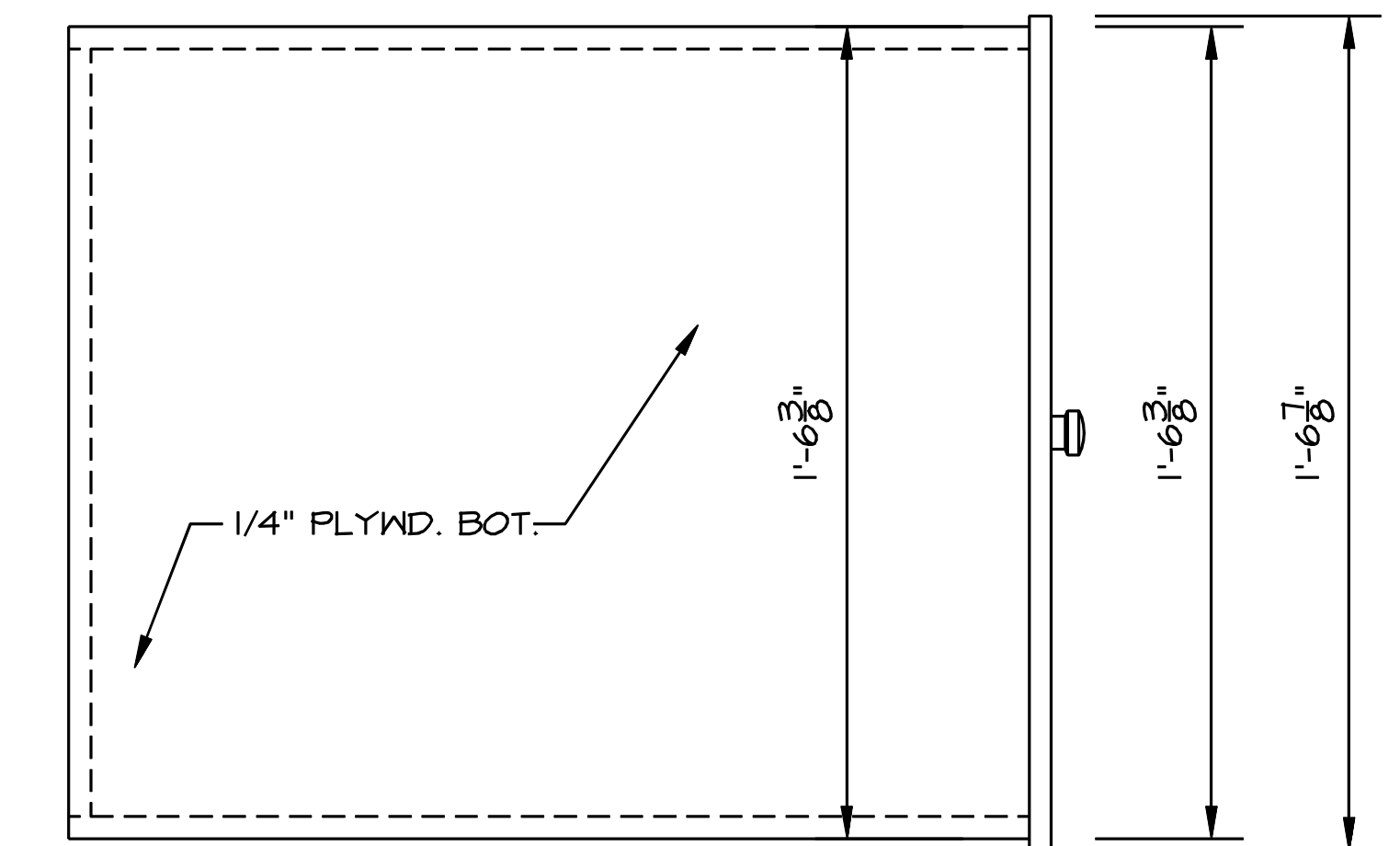


TABLE FRONT VIEW



TOP UNDER VIEW



DRAWER BOTTOM VIEW

4. PENCIL LEDGE INSTALLATION

FASTENERS: #6 X 3/4" WOOD SCREWS OR FINISHING NAILS  
INSTALLATION: ATTACH THE PENCIL LEDGE ALONG THE LOWER FRONT EDGE OF THE BOARD USING SCREWS OR NAILS, ENSURING A SLIGHT LIP TO PREVENT PENCILS FROM ROLLING OFF.

5. FINAL REINFORCEMENTS & STABILITY

CORNER BRACES (OPTIONAL): L-BRACKETS AT THE LEG JOINTS FOR ADDED STRENGTH  
WOOD GLUE: APPLIED AT ALL JOINTS BEFORE FASTENING SCREWS FOR DURABILITY

OVERALL SCALE: 1" = 4"